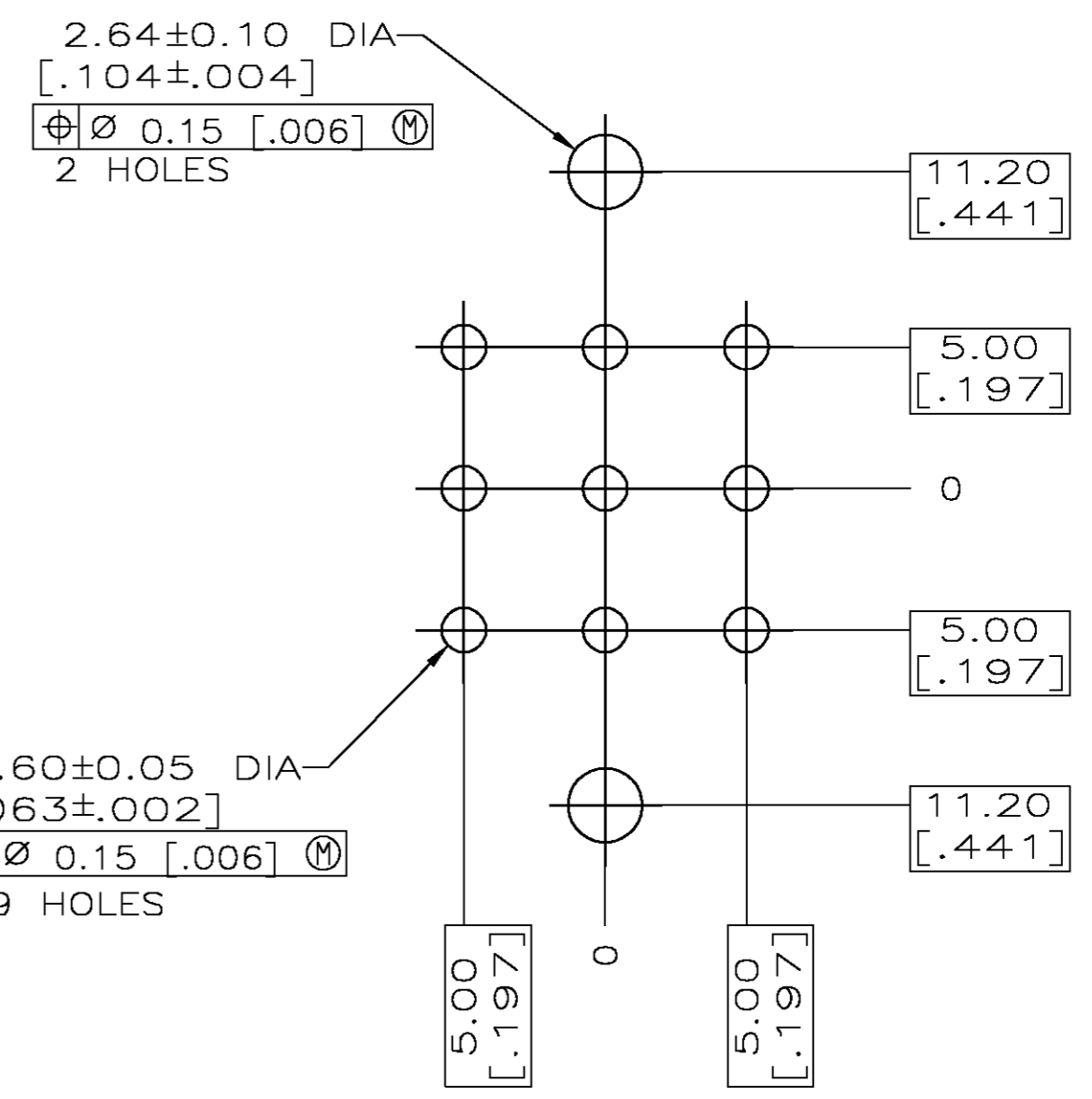
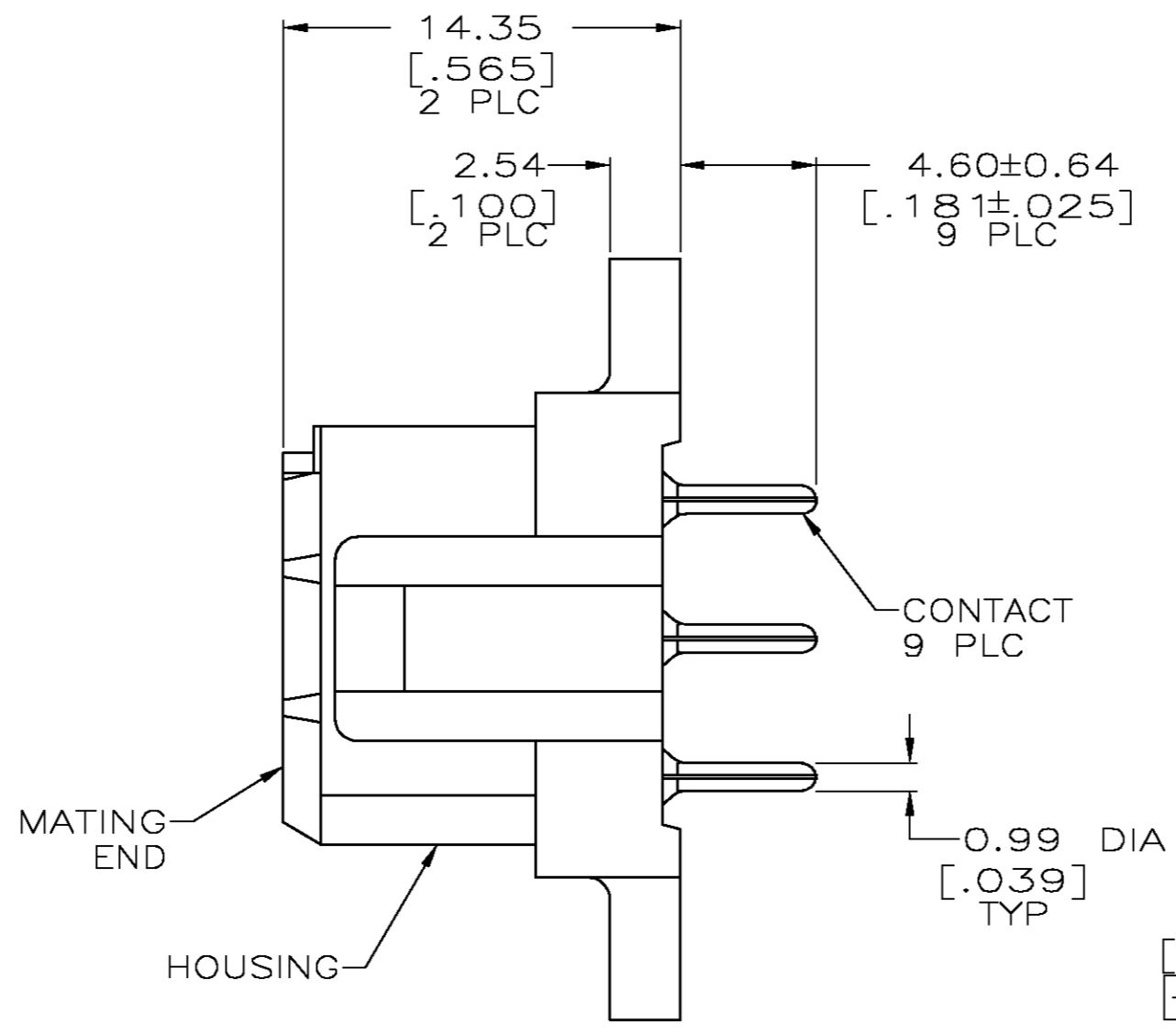
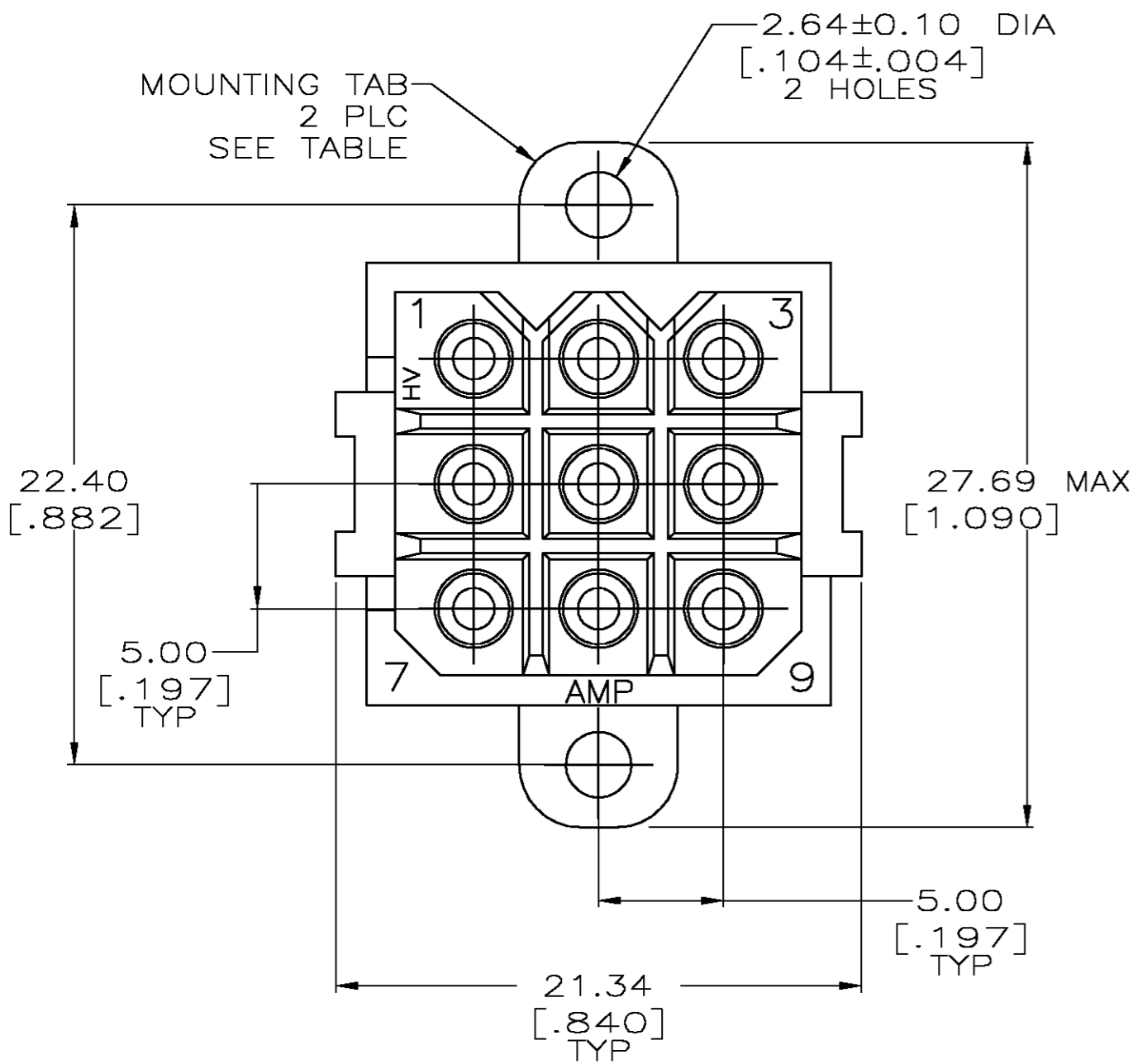


THIS DRAWING IS UNPUBLISHED. RELEASED FOR PUBLICATION
 © COPYRIGHT BY TYCO ELECTRONICS CORPORATION. ALL RIGHTS RESERVED.

LOC	DIST	REVISIONS					
FT	0	P	LTR	DESCRIPTION	DATE	DWN	APVD
		M		REVISED PER 0G3B-0170-05	4/11/05	SS	GS



RECOMMENDED LAYOUT

- ① NYLON, UL 94-VO RATED, RED.
- ② PHOSPHOR BRONZE.
- ③ 3.81um [.000150] MIN TIN-LEAD OVER 1.27um [.000050] MIN NICKEL.
- ④ 0.76um [.000030] MIN GOLD FOR A LENGTH OF 4.95 [.195] MIN FROM MATING END, 3.81um [.000150] MIN TIN-LEAD FOR A LENGTH OF 4.88 [.192] MIN ON OPPOSITE END, BOTH OVER 1.27um [.000050] MIN NICKEL.
- ⑤ 3.81um [.000150] MIN TIN OVER 1.27um [.000050] MIN NICKEL.
- ⑥ 0.76um [.000030] MIN GOLD FOR A LENGTH OF 4.95 [.195] MIN FROM MATING END, 3.81um [.000150] MIN TIN FOR A LENGTH OF 4.88 [.192] MIN ON OPPOSITE END, BOTH OVER 1.27um [.000050] MIN NICKEL.

CONTACT FINISH	MOUNTING TABS	PART NO
⑥	NO	1-207526-0
⑥	YES	207526-9
⑤	NO	207526-8
⑤	YES	207526-7
④	NO	207526-4
④	YES	207526-3
③	NO	207526-2
③	YES	207526-1

THIS DRAWING IS A CONTROLLED DOCUMENT.		DWN L.SIPE 03/20/92	Tyco Electronics Corporation Harrisburg, Pa 17105-3608	
DIMENSIONS: INCHES		CHK R.STONE 3-25-92	Tyco Electronics Corporation	
TOLERANCES UNLESS OTHERWISE SPECIFIED:		APVD -	NAME	
0 PLC ± -		PRODUCT SPEC	SOCKET HEADER ASSEMBLY, 9 POSITION, METRIMATE	
1 PLC ± -		APPLICATION SPEC	108-10033	
2 PLC ± 0.25 [.010]		SIZE	CAGE CODE	DRAWING NO
3 PLC ± -		WEIGHT	A2 00779	C=207526
4 PLC ± -		CUSTOMER DRAWING	SCALE	SHEET
ANGLES ± -		SCALE 4:1	SHEET 1 OF 1	REV M
MATERIAL HOUSING: 1	FINISH CONTACT: SEE TABLE	RESTRICTED TO		